

### Receiver

### From

Society  
Reference  
Address  
Phone  
Fax  
E-mail

Item n° :

Model :

2 ESYBOX MAX 85/120 T

#### Pump data

Pressure rating : 11,84 atm  
Constant pressure range : 0,986911,84 atm (2,961atm by default)  
Min. fluid temperature : 0 °C  
Max. fluid temperature : 50 °C  
Max. Ambient temperature : 55 °C

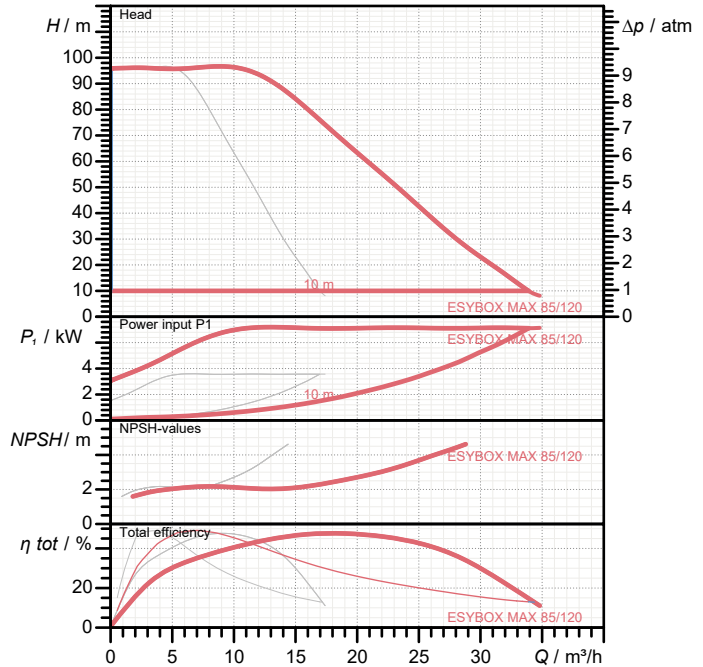
#### Requested data

Flow :  
Head :  
Fluid : Water  
Fluid Temperature : 20 °C  
Density : 998,3 kg/m<sup>3</sup>  
Kinematic viscosity : 1,005 mm<sup>2</sup>/s  
Vapor pressure : 0,02 atm

#### Materials

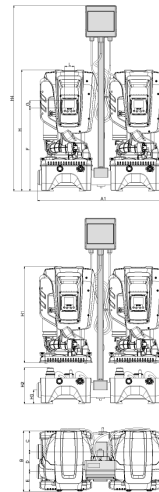
Fitting	Technopolymer PA66 30%GF
Manifold	Stainless Steel AISI 304
Flange	Technopolymer PA66 30%GF
Pump body	Technopolymer PA66 30%GF
Pump body ring	Technopolymer PP 30%GF
Impeller	Technopolymer PP 30%GF/AISI 304
Diffuser	Technopolymer PP 30%GF/AISI 304
Motor axis	Stainless Steel AISI 303
OR ring	EPDM
Motor flange	Technopolymer PA66 30%GF
Mechanical seal	Impregnated carbon-resin/Silicon carbide/EPDM
Motor liner	Stainless Steel AISI 304
Motor body	Technopolymer PA66 30%GF
Conveyor tube	Technopolymer PP 30%GF
Pressure sensor	Nylon/EPDM
Non-return valve	POM/EPDM/AISI 302
Non-return valve body	Technopolymer PA66 30%GF
Tank	Noryl/Rubber
Delivery body	Technopolymer PA66 30%GF
Outer liner	Stainless Steel AISI 304

#### Curve tolerance according to ISO 9906



#### Hydraulic data (duty point)

Flow :  
Head :



\*Without the pillar kit and panel, do not consider the H4

#### Dimensions in mm

A1	811	E	127,7	H3	87		
B	384	F	526	H4	1.172		
C	131,8	G	45	L	59,5		
D	124,5	H	766				
DNA	2"	H1	613				
DNM	2"	H2	228				

Weight : 78 kg

#### Pump connection

Suction side : 2" G / 11,84 atm  
Discharge side : 2" G / 11,84 atm

#### Motor data

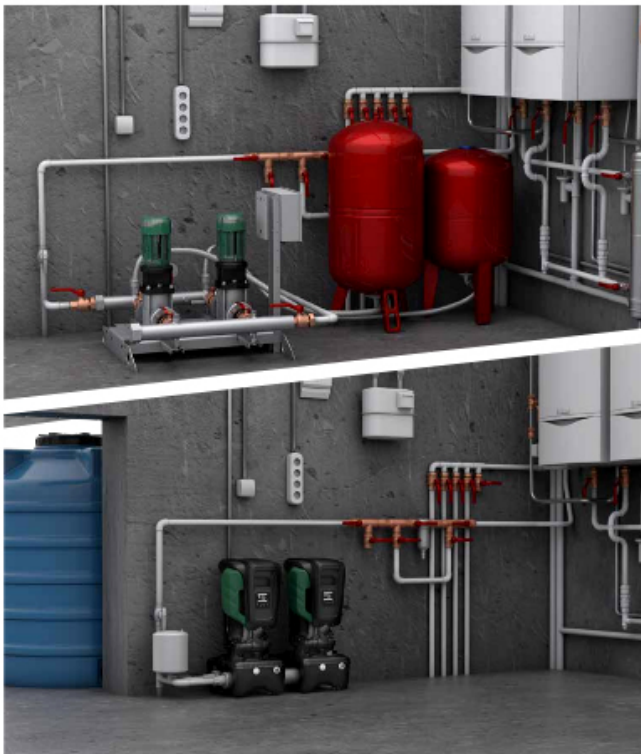
Power input P<sub>1</sub> : 2 x 3,5 kW  
Maximum speed : 5.350 1/min  
Rated voltage : 3~ 380-460 V 50 Hz  
Nominal current : 2 x 5,5 A  
Degree of protection : IP X5

# ENERGY SAVING

BEFORE

AFTER

- **20%**  
Compared with  
traditional inverter pump



**D+CONNECT**  
BUILT-IN

ANDROID APP ON  
Google play

Download on the  
App Store



As quick as a "click"

**OSA**  
ON SITE ASSEMBLY





# PERFORMANCE CURVES

2022-10-10

Page 3 / 4

DAB PUMPS S.p.A.  
Via Marco Polo, 14 - 35035 Mestrino (PD), Italy  
Tel. +39 049 5125000 - Fax +39 049 5125950  
www.dabpumps.com

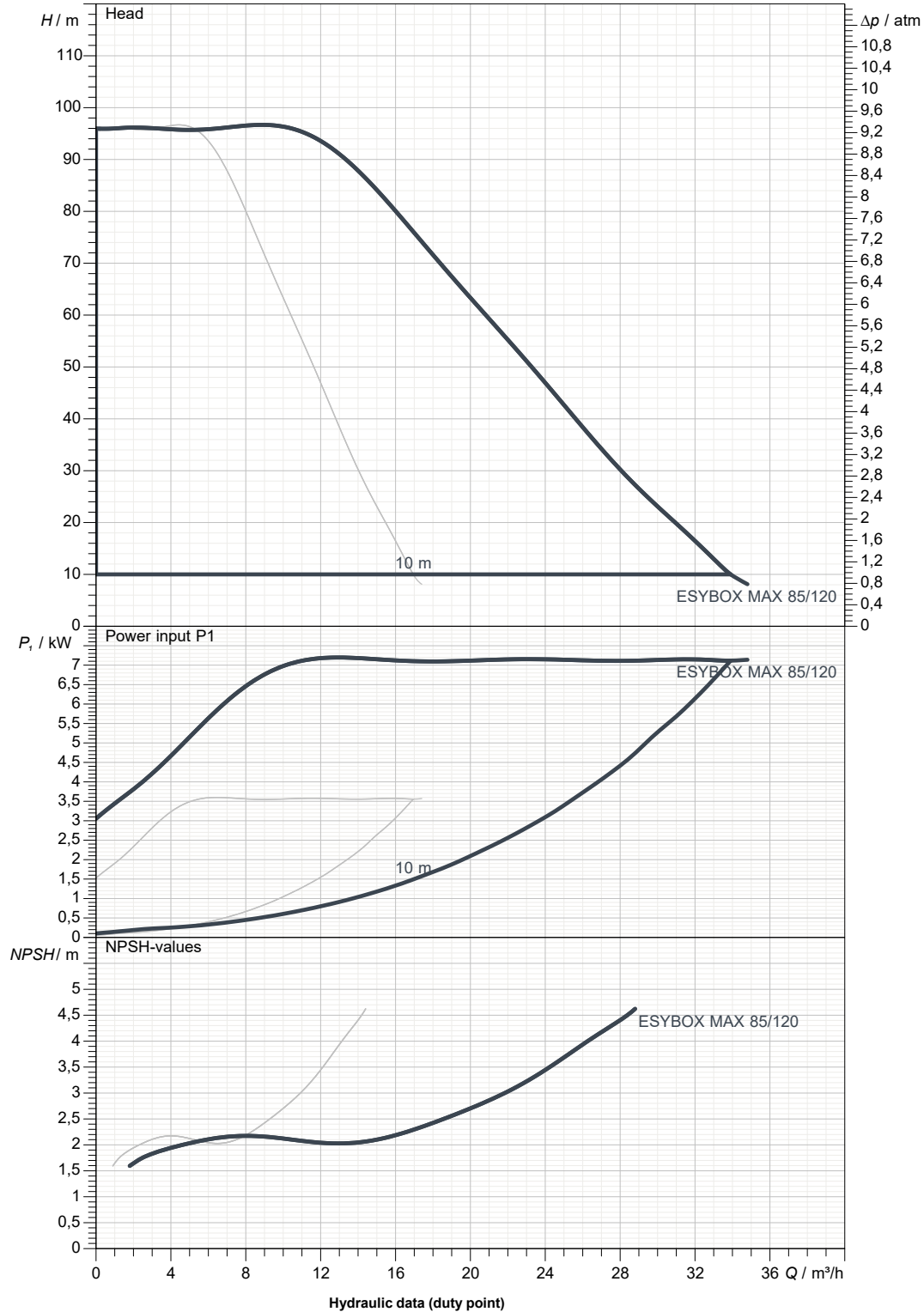
Receiver

From

Society  
Reference  
Address  
Phone  
Fax  
E-mail

## 2 ESYBOX MAX 85/120 T

Curve tolerance according to ISO 9906



Suction side : 2" G 11,84 atm	Discharge side : 2" G 11,84 atm	Flow :	Head :	Rated speed : 5.350 1/min
MAIN_PROJECT_TITLE	BUSINESS_PROCESS_ID	OWNER_	ISSUE_DATE 2022-10-10	



# DIMENSIONAL DRAWING

DAB PUMPS S.p.A.  
Via Marco Polo, 14 - 35035 Mestrino (PD), Italy  
Tel. +39 049 5125000 - Fax +39 049 5125950  
www.dabpumps.com

2022-10-10

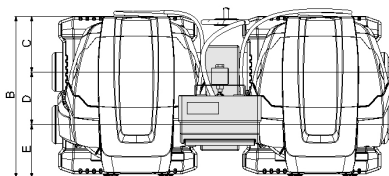
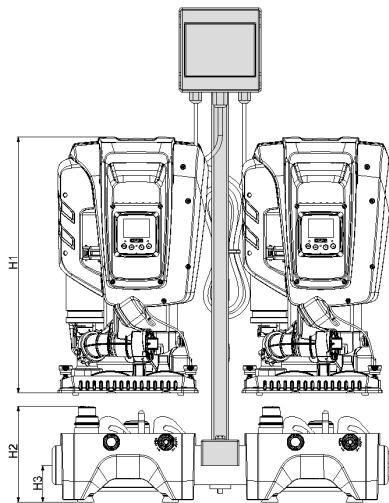
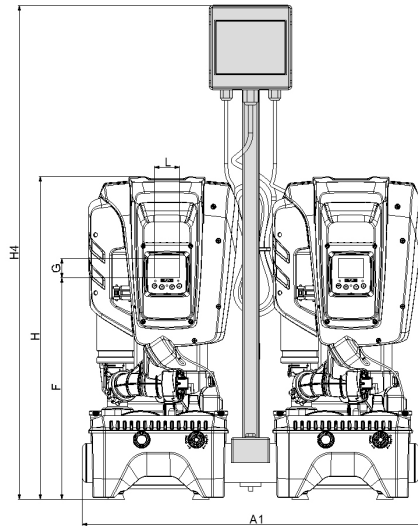
Page 4 / 4

Receiver

From

Society  
Reference  
Address  
Phone  
Fax  
E-mail

## 2 ESYBOX MAX 85/120 T



\*Without the pillar kit and panel, do not consider the H4

Dimensions in mm					Pump connection
1	A1	811	H3	87	Suction 2" G 12 bar (1200 KPa)
2	B	384	H4	1.172	
3	C	131,8	L	59,5	
4	D	124,5			
5	DNA	2"			Discharge 2" G 12 bar (1200 KPa)
6	DNM	2"			
7	E	127,7			
8	F	526			
9	G	45			
10	H	766			
11	H1	613			
12	H2	228			

MAIN_PROJECT_TITLE	BUSINESS_PROCESS_ID	OWNER	ISSUE_DATE <b>2022-10-10</b>
--------------------	---------------------	-------	---------------------------------